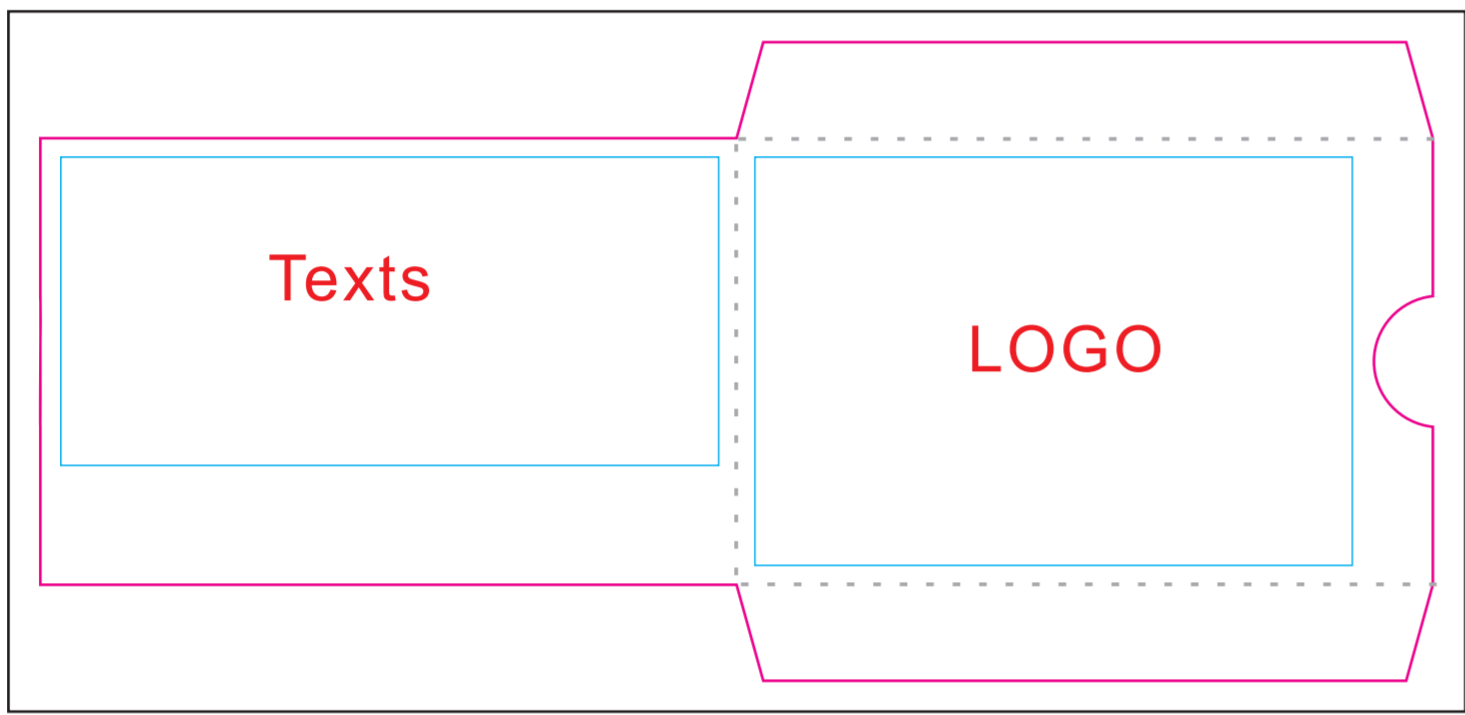
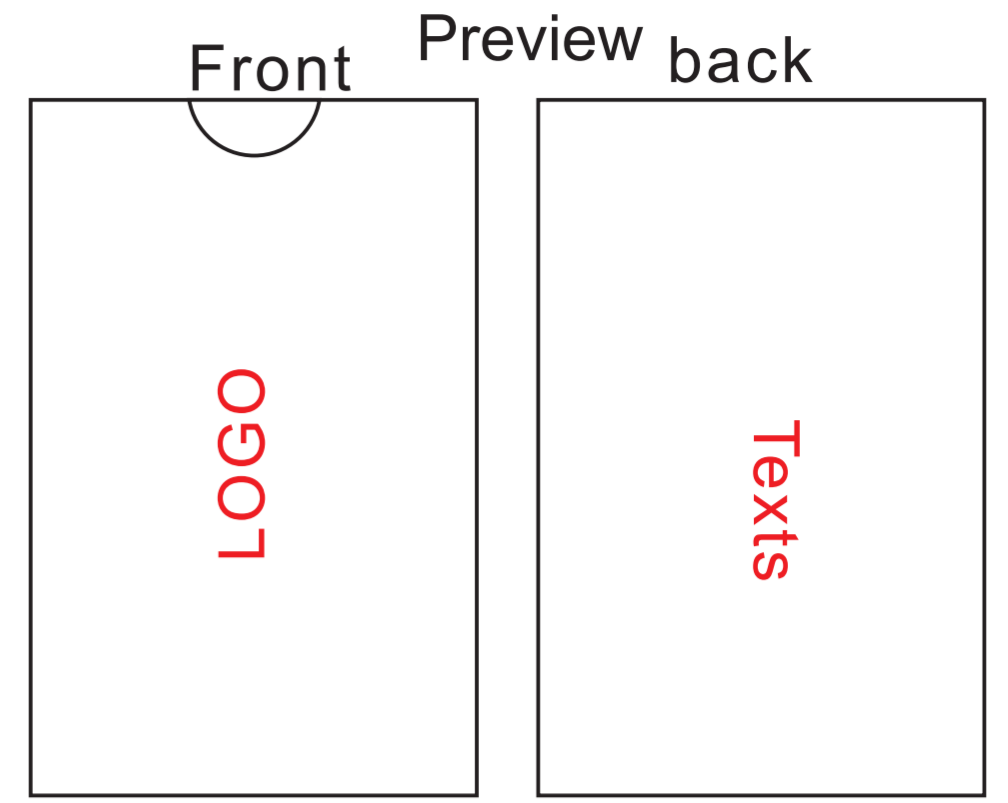
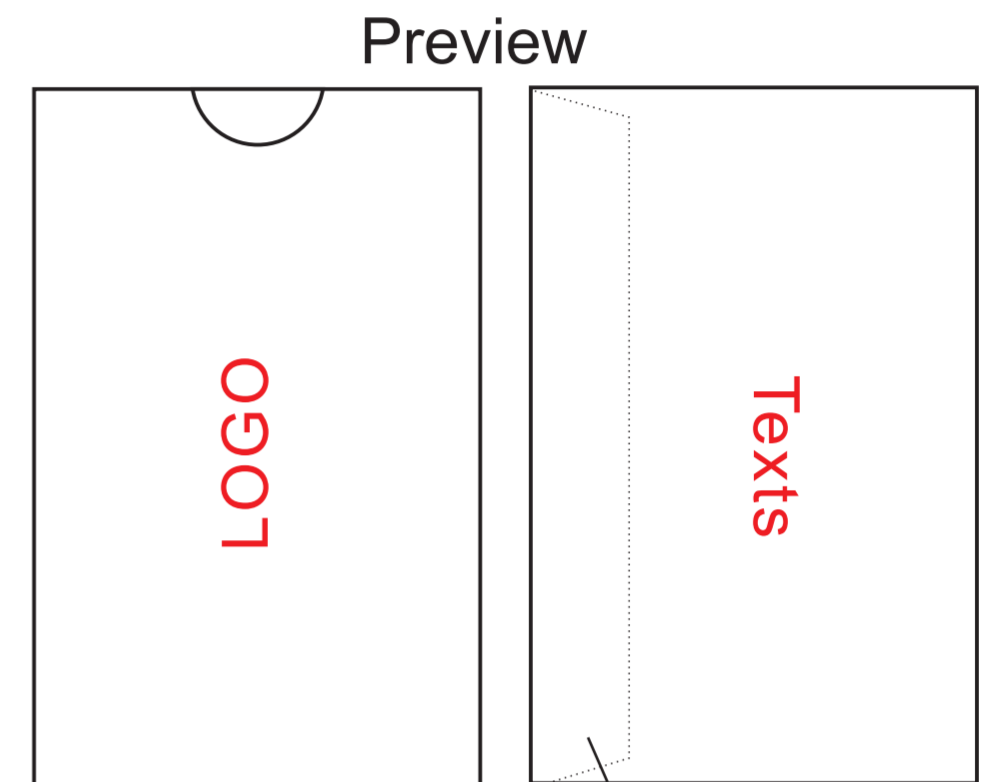


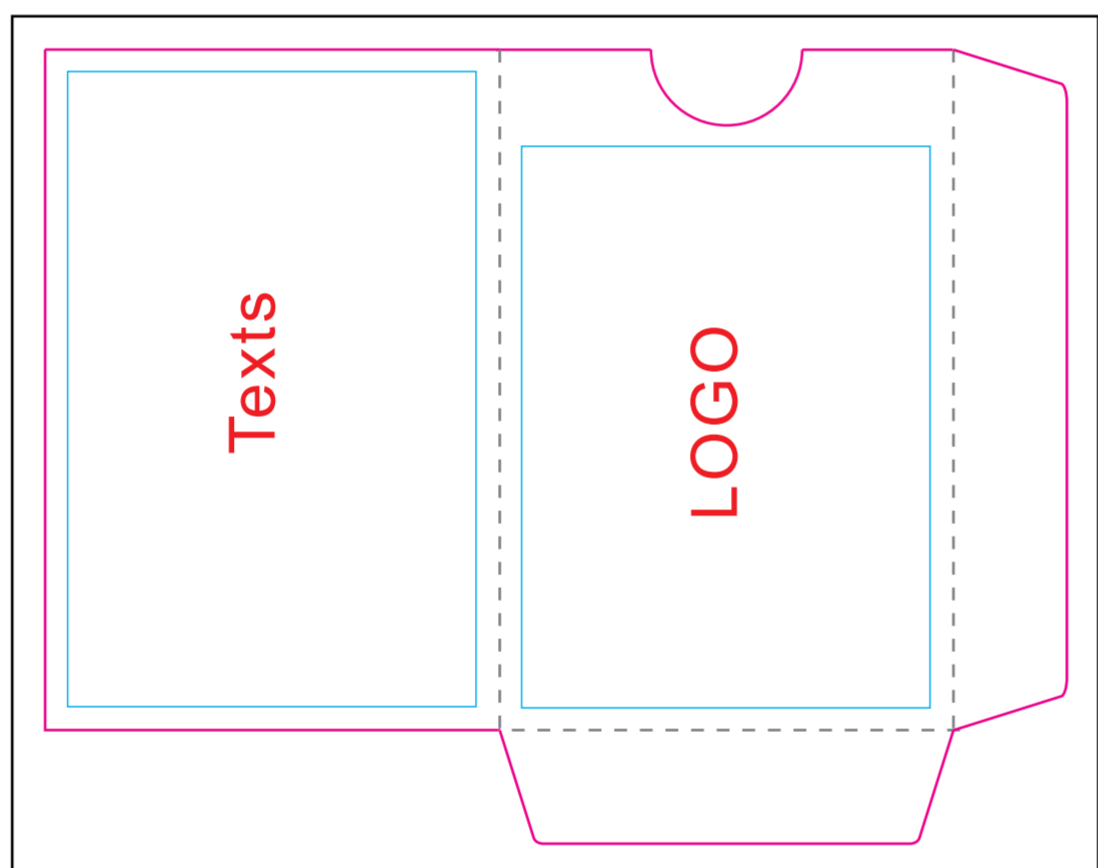
For small quantity only



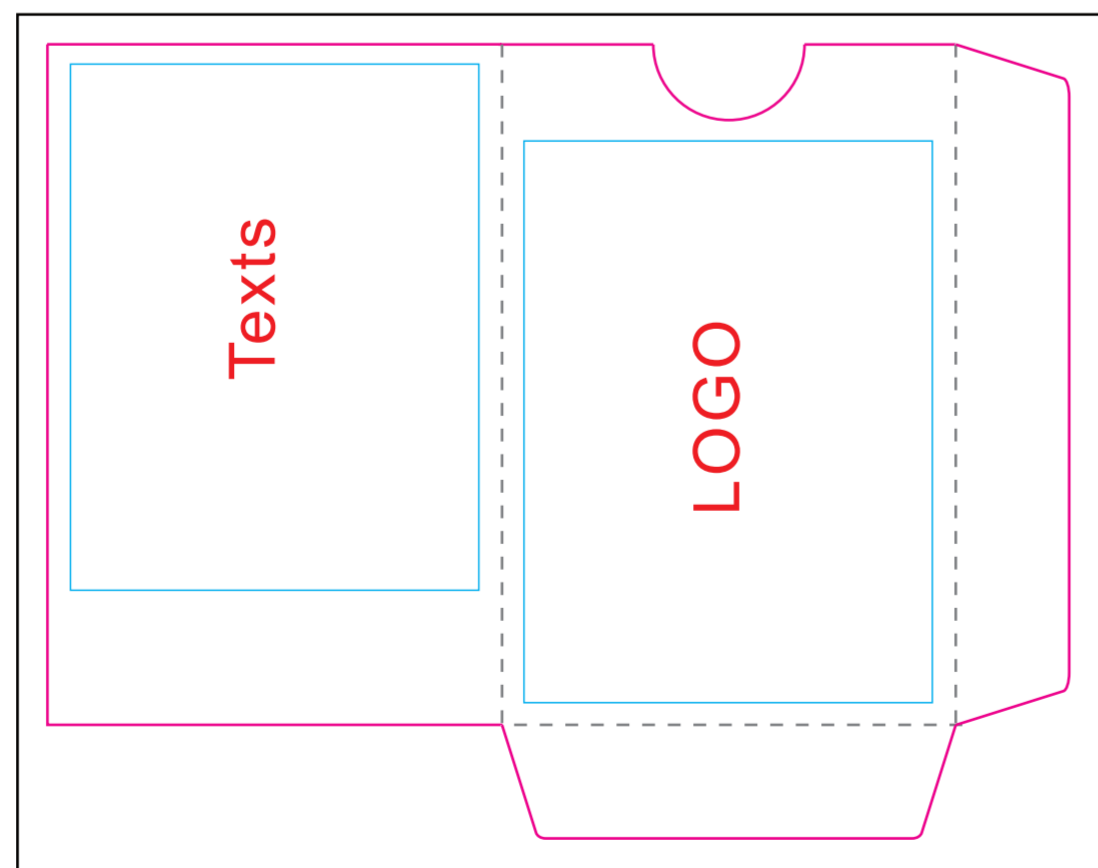
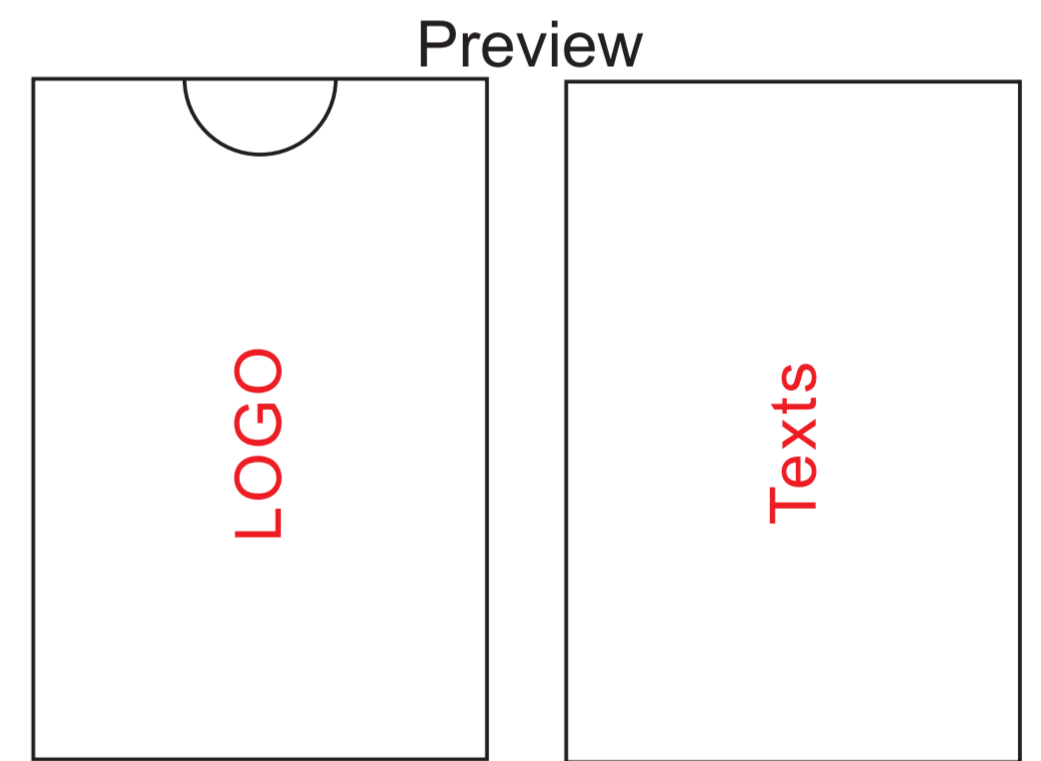
For big and small quantity



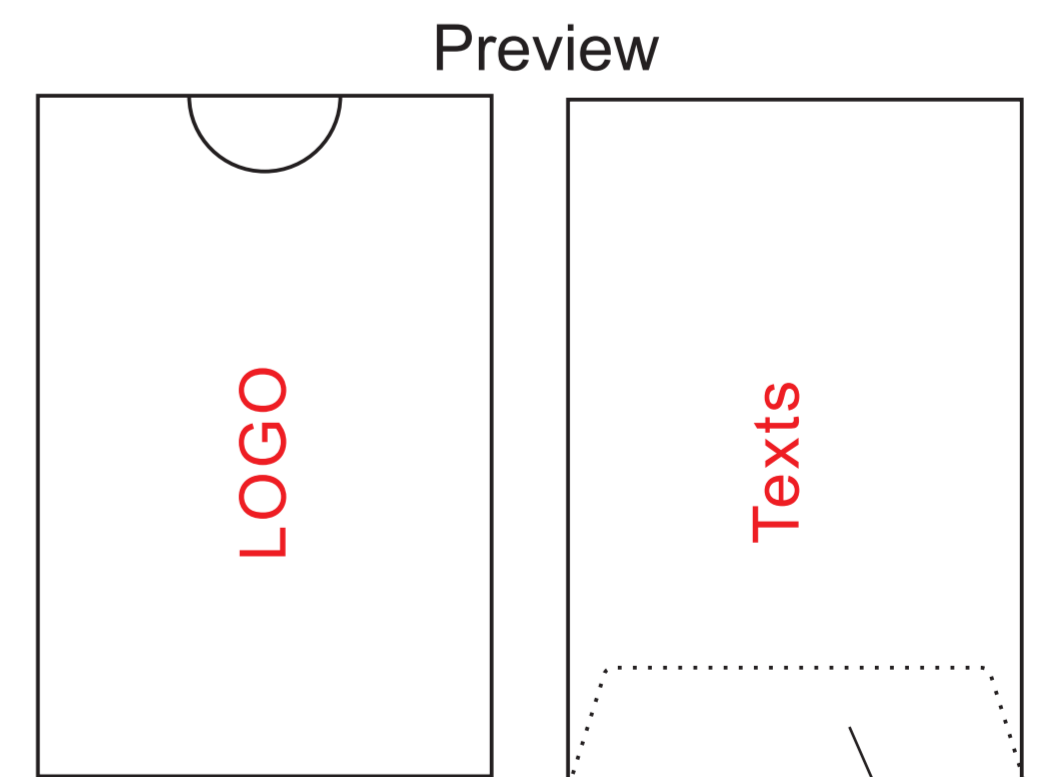
cover outside  
no texts printed here



For small quantity only



For big and small quantity



cover outside  
no texts printed here

— bleed  
(extend the background to this area)

— trimed

- - - - - folded

— safety area  
(keep all the printing texts inside this area)

Design note:  
-Please try to send vectorgraph in PDF/AI/CDR/EPS format  
-all fonts must be created to outlines  
-if it's a picture, resolution must be above 300dpi  
-if you send PSD file, please save the PSD with layers  
-make all colors in CMYK or Pantone code  
-keep all printing texts inside the safety area

**Safe area**

make sure all the below information are stated correctly before you supply the design.  
all company details include the phone, email, web, address...  
make sure all the spelling are correct!